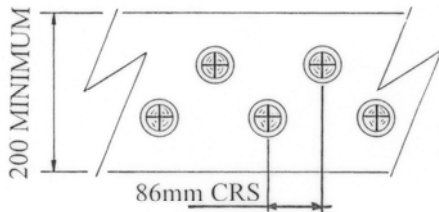
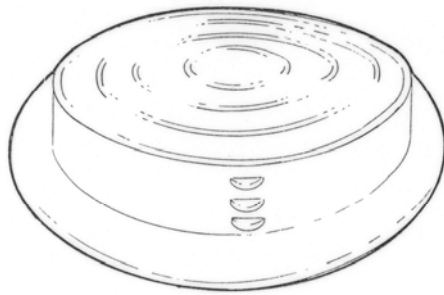
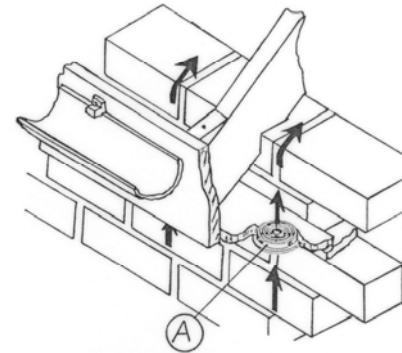
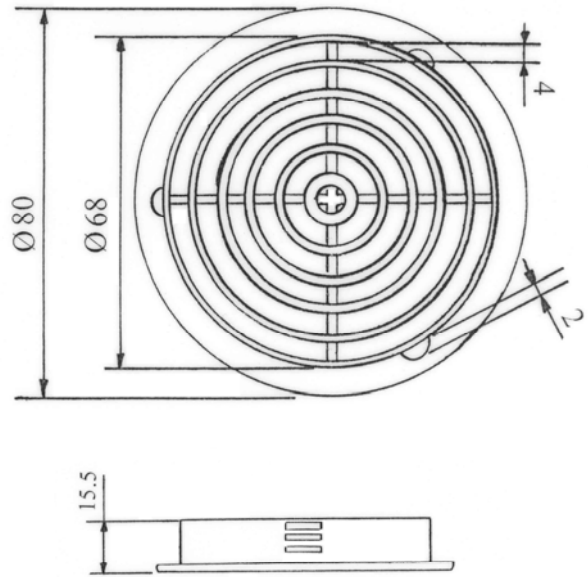


Circular Soffit Ventilator

CODE **G700**



POSITIONING OF G700
FOR 25mm² FREE AIRFLOW



Description:

The G700 Circular Soffit Ventilator is designed to be fitted before or after installation of soffit boards. The airflow passage consists of evenly spaced slots specifically sized to prohibit large insects gaining access but wide enough not to be blocked by debris, paint or water droplets (See BS5250 section 6).

COLOURS	White, Brown, Black, Golden Oak, Blue/Black(Close match to Anthracite Grey),
PACKING DETAILS	Packed in 50's in a cardboard box.
WEIGHT	0.8kg per box
MATERIAL	Polypropylene
MANUFACTURING PROCESS	Injection Moulded
FREE AIRFLOW	2150mm ² per G700 To achieve 10,000mm ² /M of free airflow the G700 should be fitted at 200mm centres.
	To achieve 25,000mm ² /M of free airflow the G700 should be fitted at 86mm staggered centres as shown.

Fitting Instructions:

The G700 Circular Soffit Ventilator (A) should be a "push" fit into a 70mm (2.75") diameter hole drilled into the soffit board as shown. Use in conjunction with other products from the Manthorpe range to provide a complete roof ventilation system.

References:

BRE:	DIGEST 262/270
BSI:	BS5250
DOE:	Building Regs F2
NHBC:	Good Practice Guide
NHBC:	Standards 7.2

MANTHORPE BUILDING PRODUCTS LTD
MANTHORPE HOUSE
BRITAIN DRIVE
CODNOR GATE BUSINESS PARK
RIPLEY
DERBYSHIRE DE5 3ND

TEL: 01773 303 000
FAX: 01773 303 000
EMAIL: mbp.care@manthorpebp.co.uk
WEB: www.manthorpebp.co.uk

DRN M.A Date 20.06.19

The company maintains a policy of continuous development of its product range and reserves the right to amend the specification without notice.

DRG No Issue

MBP 8006

D